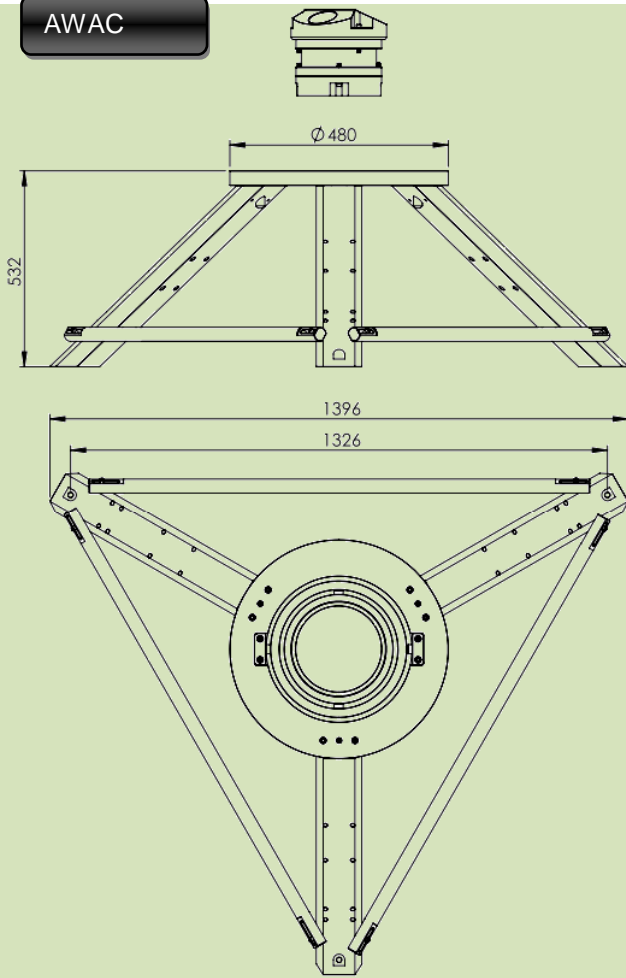


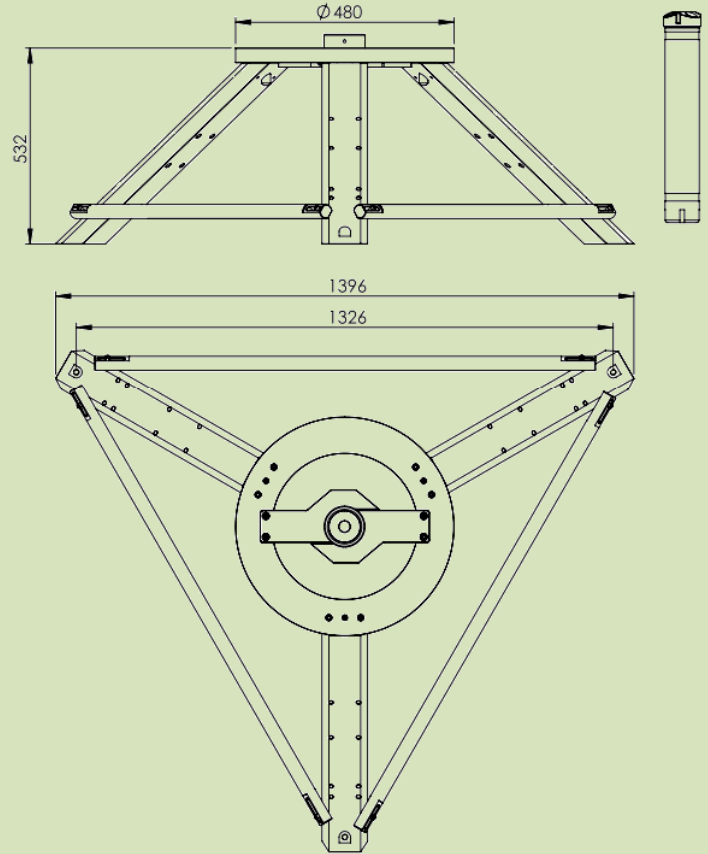
Tripod

Our Tripod is pretended for firmly deploying any of the Nortek current meter or current profilers. It has been designed for fixed or gimbaled installation and it is easily adaptable for any extra, spare or accessory. It is suitable for any bottom condition (flat or rocky) and made on non magnetic materials to match with most of your oceanographic bottom mounted mooring requirements. If you have any specific requirement, please, do not hesitate to make us know and we will try to find a tailor made solution for you.

AWAC



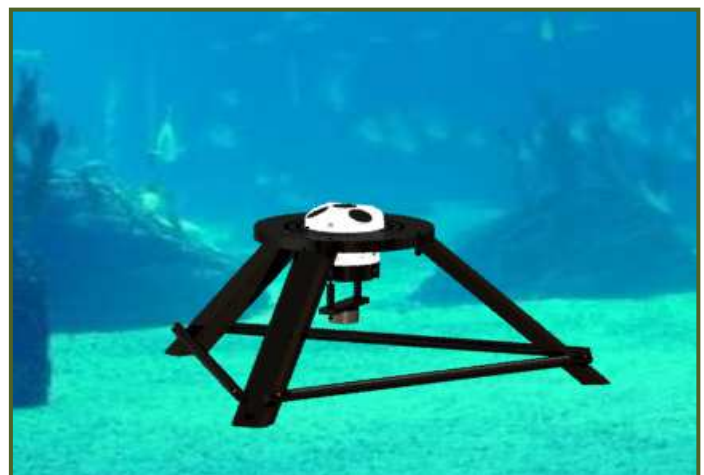
Aquadopp



Do not deduce dimensions directly from the plan.
All dimensions in mm.

Technical Specifications

Materials	
Standard model:	Delrin ®, AISI 316, PTFE
Environmental	
Operating temperature:	-4°C to 40°C
Storage temperature:	-20°C to 60°C
Shock and vibration:	IEC 721-3-2
Pressure rating:	6000 m
Antifouling Paint	
May be applied to all surfaces	
Dimensions	
Whole:	Inquire
Approx. weight in air:	Less than 25 Kg without payload
Approx. weight in water:	Less than 20 Kg without payload
Options	
Ballast:	Available
Additional sensors support:	Available



INNOVA
oceanografía litoral

INNOVA oceanografía litoral S.L.
Ronda Bellesguard, 8 Local Dcha
08203 Sabadell, Barcelona, Spain
Tel: +34 937 205 364
Fax: +34 937 205 101



www.oceanografialitoral.com

E-mail: innova@oceanografialitoral.com